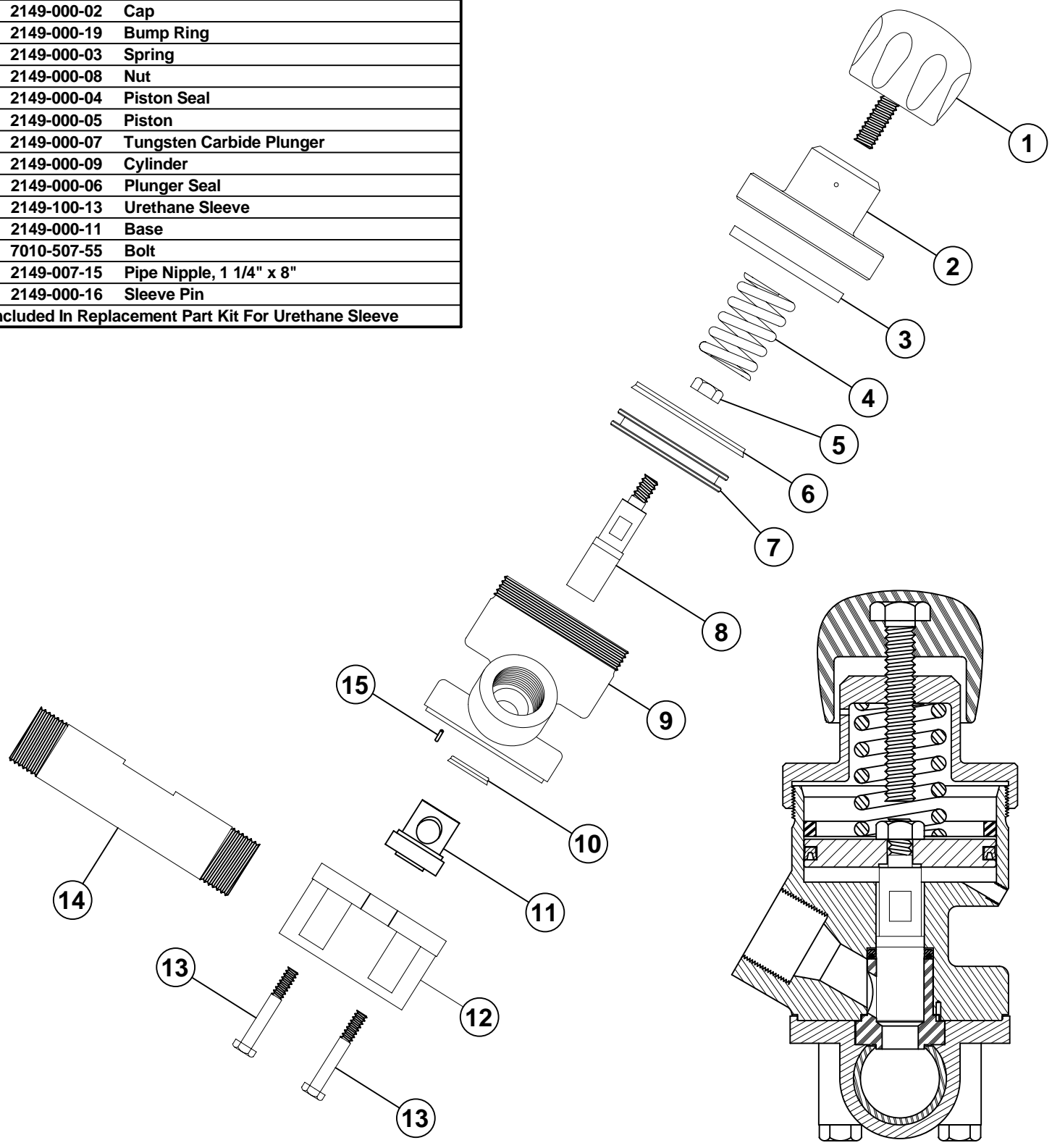


No.	Part No.	Description
	2149-100-99	Replacement Part Kit With Urethane Sleeve
1.	2149-000-01	Knob
2.	2149-000-02	Cap
3.	2149-000-19	Bump Ring
4.	2149-000-03	Spring
5.	2149-000-08	Nut
6.*	2149-000-04	Piston Seal
7.	2149-000-05	Piston
8.*	2149-000-07	Tungsten Carbide Plunger
9.	2149-000-09	Cylinder
10.*	2149-000-06	Plunger Seal
11.*	2149-100-13	Urethane Sleeve
12.	2149-000-11	Base
13.	7010-507-55	Bolt
14.	2149-007-15	Pipe Nipple, 1 1/4" x 8"
15.	2149-000-16	Sleeve Pin
* Included In Replacement Part Kit For Urethane Sleeve		



PROPRIETARY INFORMATION

DESIGN INFORMATION CONTAINED HEREIN IS PROPRIETARY AND CONFIDENTIAL AND THE EXCLUSIVE PROPERTY OF AXIOM MANUFACTURING, INC. NO PORTION OF ANY DESIGN INFORMATION CONTAINED HEREIN MAY BE USED BY, OR DISCLOSED TO UNAUTHORIZED PERSONNEL WITHOUT THE EXPRESSED WRITTEN CONSENT OF AXIOM MANUFACTURING, INC.

AXIOM MFG IS THE EXCLUSIVE MANUFACTURER OF SCHMIDT® PRODUCTS

AXIOM MANUFACTURING, INC.

SCALE: N.T.S.	APPROVED BY:	DRAWN BY: RSA
DATE: 10/05/06		REVISED

1 1/4" THOMPSON VALVE WITH URETHANE SLEEVE

REFERENCE NUMBER: 2149-107	PART/DRAWING NUMBER: 2149-107
----------------------------	-------------------------------

REV	DESCRIPTION	DATE	BY